

# Adams

Grease  
Nipples

Graisseurs

Schmiernippel



### **Grease Nipples**

A range of grease nipples in stainless steel or steel, metric or imperial threads, hydraulic, button, industrial button or concave heads are available.

### **Graisseurs**

Une gamme de graisseurs en acier ou en inox, filetages métrique ou impérial, hydrauliques, à tête plate ou à cuvette.

### **Schmiernippel**

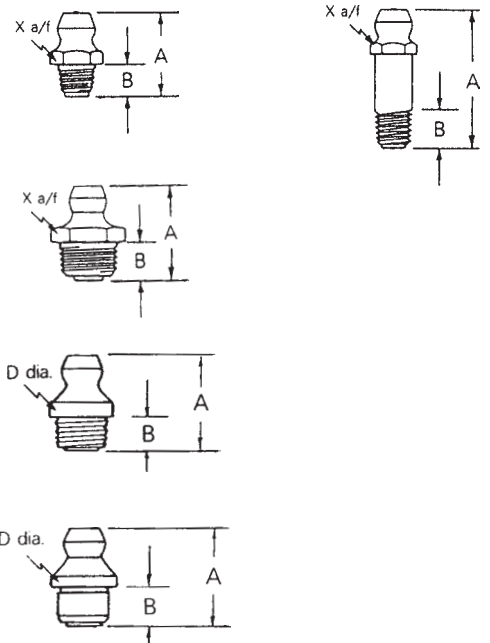
Lieferbar sind alle Bauformen mit metrischen und Zoll-Gewinden in Stahl und rostfreiem Stahl.

## STEEL GREASE NIPPLES

Mild steel case hardened head. Zinc plated.  
Stress relieved carbon steel spring. Carbon steel ball

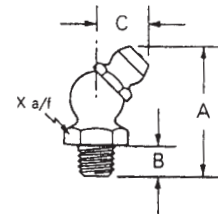
### STRAIGHT

Product Code	Thread Type	Thread/ Diameter	A mm	B mm	A/F mm	Nominal Hole Size mm
301901	BSF	1/4 x 26	13.7	5.3	5/16	-
303801	BSF	5/16 x 22	15.8	6.4	7/16	-
606901	BSP	1/8 x 28	15.2	5.8	17/16	-
607901	BSP	1/4 x 19	20.3	8.4	7/16	-
201641	UNF	1/4 x 28 (Taper)	13.7	5.1	5/16	-
201680	UNF	1/4 x 28 (15/16 O/L)	23.6	7.1	9/32	-
201698	UNF	1/4 x 28 Taper (1 1/8 O/L)	28.7	7.1	9/32	-
205530	UNF	1/4 x 28 Self Forming	14.2	5.3	5/16	6.0
201711	UNF	5/16 x 24	15.8	6.4	7/16	-
201710	UNF	3/8 x 24	15.8	6.4	7/16	-
201652	UNF	1/4 x 28 (1 1/16 O/L)	17.0	7.1	5/16	-
201610	NPT	1/8 x 27	15.8	6.4	7/16	-
205570	NPT	1/8 - 27 Self Forming	15.2	5.6	7/16	9.5
201627	NPT	1/4 x 18	20.3	8.9	9/16	-
201607	NPT	1/8 x 27 (1 1/4 O/L)	31.8	9.7	7/16	-
608601	Metric	M6 x 1	13.5	4.6	7mm	-
608771	Metric	M6 x 1 Self Forming	14.2	5.5	7mm	5.6
608901	Metric	M8 x 1	15.0	5.8	9mm	-
608971	Metric	M8 x 1 Self Forming	14.5	5.3	9mm	7.6
609201	Metric	M8 x 1.25	15.0	5.8	9mm	-
609301	Metric	M10 x 1	15.2	5.9	11mm	-
609501	Metric	M10 x 1.5	15.2	5.9	11mm	-
			A	B	D	
201728	Drive Fit	3/16	12.7	5.1	5/16	-
201743	Drive Fit	1/4	12.7	5.1	5/16	-
201608	Drive Fit	5/16	14.7	5.3	13/32	-
609601	Drive Fit	M6	14.5	6.0	8mm	-
609801	Drive Fit	M8	15.5	6.1	10mm	-



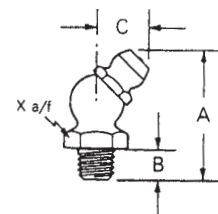
### 45° ANGLE

Product Code	Thread Type	Thread/ Diameter	A mm	B mm	C mm	A/F
310645	BSF	1/4 x 26	22.4	5.1	8.9	3/8
311945	BSF	5/16 x 22	22.6	5.6	8.9	3/8
616945	BSP	1/8 x 28	23.6	5.6	9.7	7/16
614745	BSP	1/4 x 19	27.4	8.6	9.9	9/16
211637	UNF	1/4 x 28 (Taper)	22.4	5.1	8.9	3/8
211636	UNF	1/4 x 28 (0.3" long)	24.6	7.6	8.9	3/8
211688	NPT	1/8 x 27	24.9	6.9	9.7	7/16
617045	Metric	M6 x 1	22.6	5.6	8.9	9mm
617445	Metric	M8 x 1	22.6	5.6	8.9	9mm
617545	Metric	M8 x 1.25	22.6	5.6	8.9	9mm
619345	Metric	M10 x 1	23.5	5.6	9.7	11mm
617945	Metric	M10 x 1.5	24.9	6.9	9.7	11mm



### 65° ANGLE

Product Code	Thread Type	Thread/ Diameter	A mm	B mm	C mm	A/F
211665	UNF	1/4 x 28 (Taper)	19.3	5.1	10.4	3/8
211612	NPT	1/8 x 27	22.4	6.9	11.7	7/16
211629	NPT	1/4 x 18	24.3	8.6	11.7	9/16

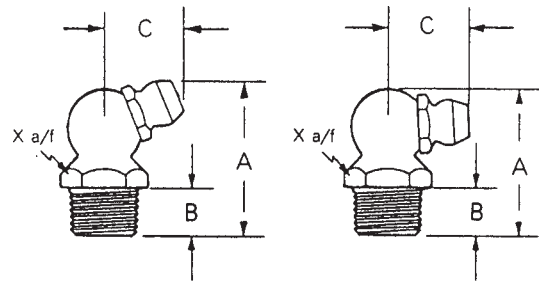


## STEEL GREASE NIPPLES

Mild steel case hardened head. Zinc plated.  
Stress relieved carbon steel spring. Carbon steel ball

### 67 1/2° ANGLE

Product Code	Thread Type	Thread	A mm	B mm	C mm	A/F
310667	BSF	1/4 x 26	19.3	5.1	10.4	3/8
311967	BSF	5/16 x 22	19.8	5.6	10.4	3/8
616967	BSP	1/8 x 28	20.3	5.6	11.7	9/16
614767	BSP	1/4 x 19	24.4	8.6	11.7	9/16



### 90° ANGLE

Product Code	Thread Type	Thread	A mm	B mm	C mm	A/F
310690	BSF	1/4 x 26	17.5	5.1	10.7	3/8
311990	BSF	5/16 x 22	18.0	5.6	10.7	3/8
616990	BSP	1/8 x 28	19.1	5.6	11.9	7/16
614790	BSP	1/4 x 19	23.4	8.6	11.9	9/16
211911	UNF	1/4 x 28	17.5	5.1	10.7	3/8
211613	NPT	1/8 x 27	20.8	6.9	11.9	7/16
617090	Metric	M6 x 1	18.0	5.6	10.7	9mm
617490	Metric	M8 x 1	18.0	5.6	10.7	9mm
617590	Metric	M8 x 1.25	18.0	5.6	10.7	9mm
619390	Metric	M10 x 1	19.0	5.6	11.9	11mm
617990	Metric	M10 x 1.5	20.0	6.9	11.9	11mm

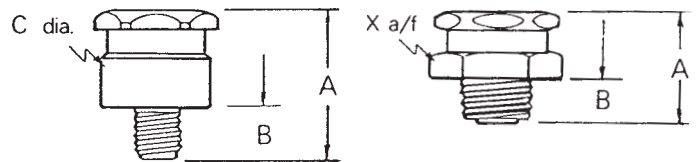
### STANDARD BUTTON HEAD

Product Code	Thread Type	Thread	A mm	B mm	C mm	A/F
320201	BSF	1/4 Two Piece	19.6	5.8	14.3	.600"
321101	BSF	3/8 x 20	15.0	6.1	-	.600"
324001	BSP	1/8 x 28	15.0	6.1	-	.600"
325201	BSP	1/4 x 19	18.8	9.9	-	.600"



### BUTTON HEAD

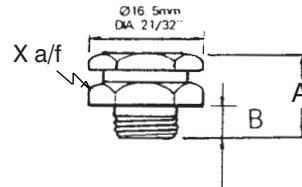
Product Code	Thread Type	Thread	A mm	B mm	A/F mm
TIB-6-2-M	Metric	M6 x 1	16	6	15
TIB-8-2-M	Metric	M8 x 1			
TIB-8-3-M	Metric	M8 x 1.25			
TIB-10-2-M	Metric	M10 x 1			
TIB-10-4-M	Metric	M10 x 1.5			
TIB-2-NT	NPT	1/8 NPT			



### BUTTON HEAD

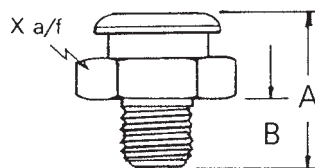
Material - Body, BRASS  
Ball & Spring - BERYLIUM

Product Code	Thread Type	Thread	A mm	B mm	A/F mm
TIB-2-BP-BR	BSP	1/8 x 28	15	6	15
TIB-4-BP-BR	BSP	1/4 x 19			



### BRITISH STANDARD INDUSTRIAL

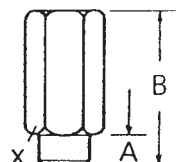
Product Code	Thread Type	Thread	A mm	B mm	A/F
327101	BSP	1/8 X 28	20.3	9.1	.710"
327501	BSP	1/4 X 19	22.6	11.4	.710"
327901	BSP	3/8 X 19	22.6	11.4	.710"



### EXTENSIONS

Material - Steel, ZINC PLATE

Product Code	Thread Type	Thread	A mm	B mm	A/F mm
911531	BSP	1/8 X 28	6.6	19.3	14
911535	BSP	1/8 X 28	6.6	32.0	14



## STAINLESS STEEL NIPPLES

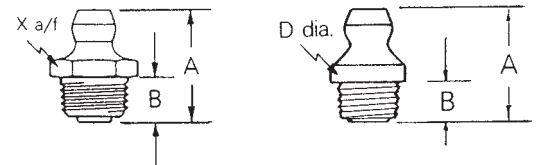
### STRAIGHT

Product Code	Thread Type	Thread/Diameter	A mm	B mm	D Diameter	A/F
808014	BSP	1/8 x 28	15.2	5.8	-	7/16
808103	BSP	1/4 x 19	20.3	8.4	-	9/16
808025	UNF	1/4 x 28	13.7	5.1	-	5/16
808082	NPT	1/8 x 27	15.8	6.4	-	7/16
808126	NPT	1/4 x 18	20.8	8.9	-	9/16
808036	Metric	M6 x 1	13.7	4.8	-	7mm
808058	Metric	M8 x 1	15.0	5.8	-	9mm
808071	Metric	M10 x 1	15.2	5.8	-	11mm
808028	Drive Fit	3/16	12.7	5.3	8	-
808043	Drive Fit	1/4	12.7	5.3	8	-



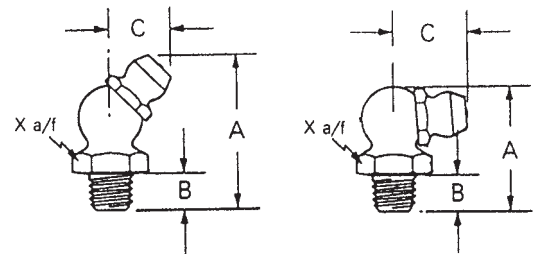
### 45° ANGLE

Product Code	Thread Type	Thread/Diameter	A mm	B mm	C mm	A/F
811445	BSP	1/8 x 28	20.6	5.6	10.4	7/16
812545	UNF	1/4 x 28	22.4	5.1	9.4	3/8
818245	NPT	1/8 x 27	25.2	6.9	10.2	7/16
813645	Metric	M6 x 1	22.6	5.6	8.9	9mm
815845	Metric	M8 x 1	22.4	5.6	8.9	9mm
817145	Metric	M10 x 1	23.1	5.6	10.4	11mm



### 90° ANGLE

Product Code	Thread Type	Thread/Diameter	A mm	B mm	C mm	A/F
811490	BSP	1/8 x 28	19.0	5.6	12.2	7/16
812590	UNF	1/4 x 28	17.5	5.1	11.2	3/8
818290	NPT	1/8 x 27	20.8	6.9	11.9	7/16
813690	Metric	M6 x 1	18.0	5.6	11.2	9mm
815890	Metric	M8 x 1	17.8	5.6	10.7	9mm
817190	Metric	M10 x 1	19.0	5.6	12.1	11mm



### BUTTON HEAD

Product Code	Thread Type	Thread/Diameter	A mm	B mm	A/F mm
TIB-2-BP-SS	BSP	1/8 X 28	16	6	15
TIB-4-BP-SS	BSP	1/4 X 19			

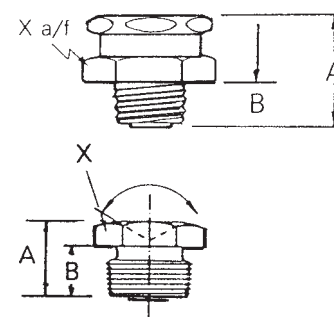
Material; Body 1.4305 Spring 1.4034. Ball 1.4310



## STEEL GREASE NIPPLES

### CONCAVE

Product Code	Thread Type	Thread/Diameter	A mm	B mm	A/F mm
D1-2-BP	BSP	1/8 X 28	9.5	6.5	11
D1-4-BP	BSP	1/4 X 19	14.0	9.5	14
D1-6-2-M	Metric	M6 x 1.0	8.5	5.5	7
D1-8-2-M	Metric	M8 x 1.0	9.5	6.5	7
D1-8-3-M	Metric	M8 x 1.25	9.5	6.5	9
D1-10-2-M	Metric	M10 x 1.0	9.5	6.5	11
DIA-6-M	Drive Fit	6 mm	7.5	5.5	-
DIA-8-M	Drive Fit	8 mm	9.5	6.5	-



Mild steel case hardened head - Zinc plated - Stress relieved carbon steel spring.