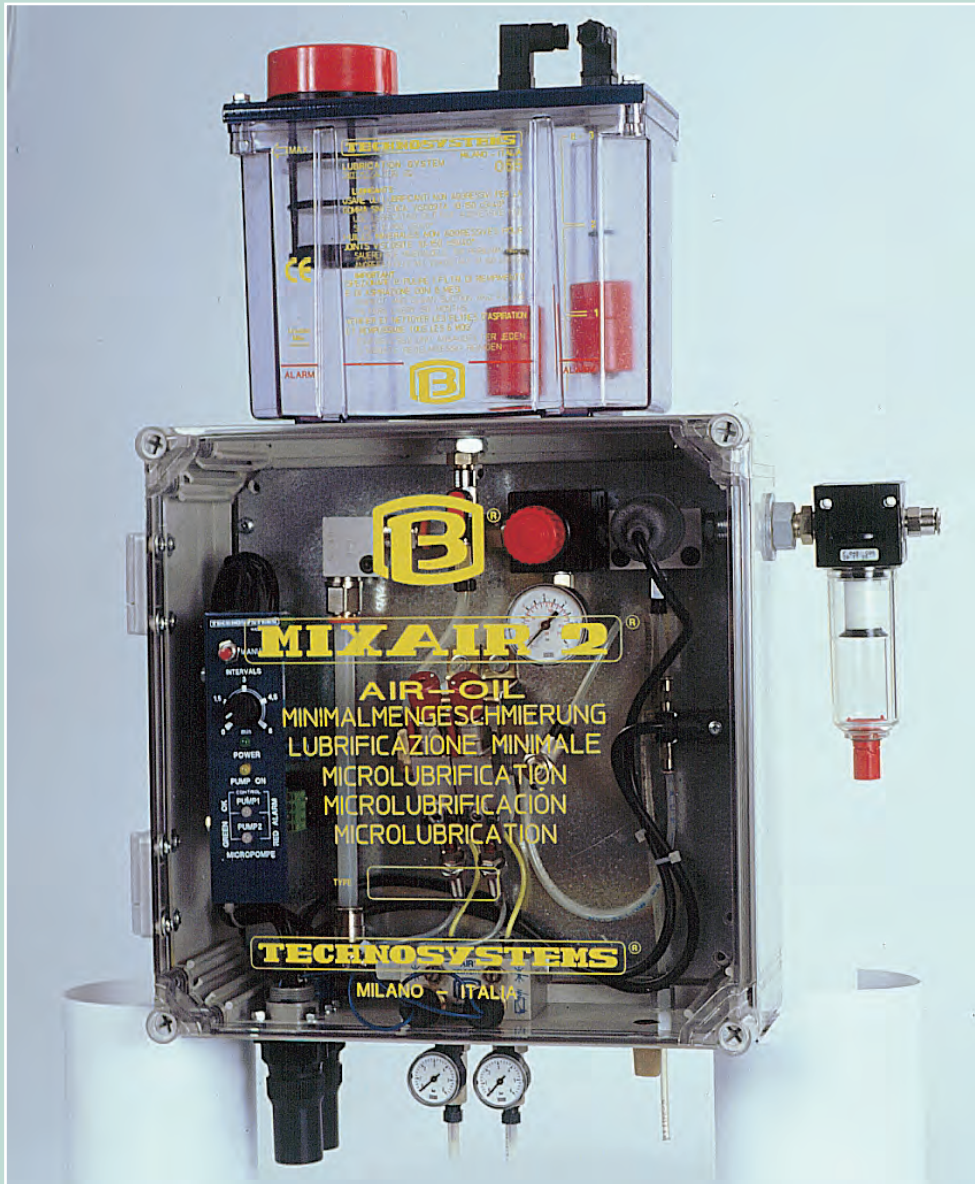


Adams

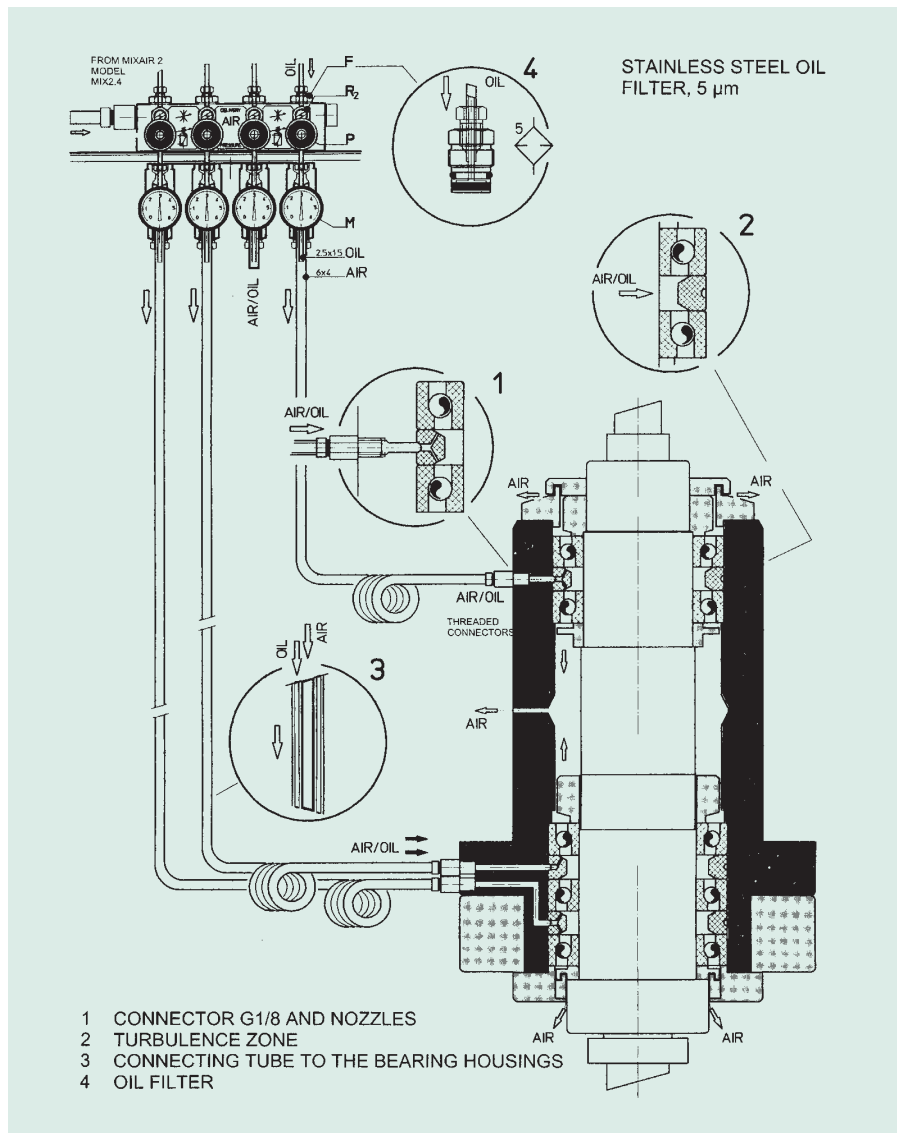


□ Mixair 2

Known as the MIXAIR 2 system this has been developed to lubricate high speed roller bearings typically found on spindles and electrospindles, by using an air/oil mixture. This can also be referred to as microlubrication.

The System

This minimal air-oil system is designed to provide an efficient solution to the problem of lubricating parts that rotate at high speed.

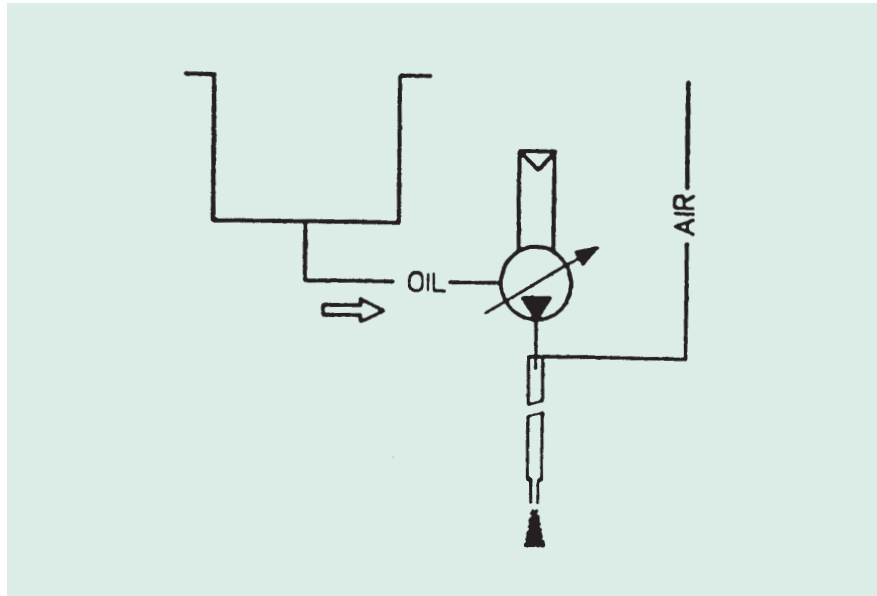


The Mixair lubricator is neither an oilmist nor an atomiser system because low pressure air is used only to convey the lubricant to the lubrication points.

The distributor injects a small amount of lubricant into the air stream which is carried to the nozzle which in turn breaks it into micro particles at the point of delivery.

Flows to individual points per operation can be adjusted from 3 up to 24 mm³ and therefore called micro quantities.

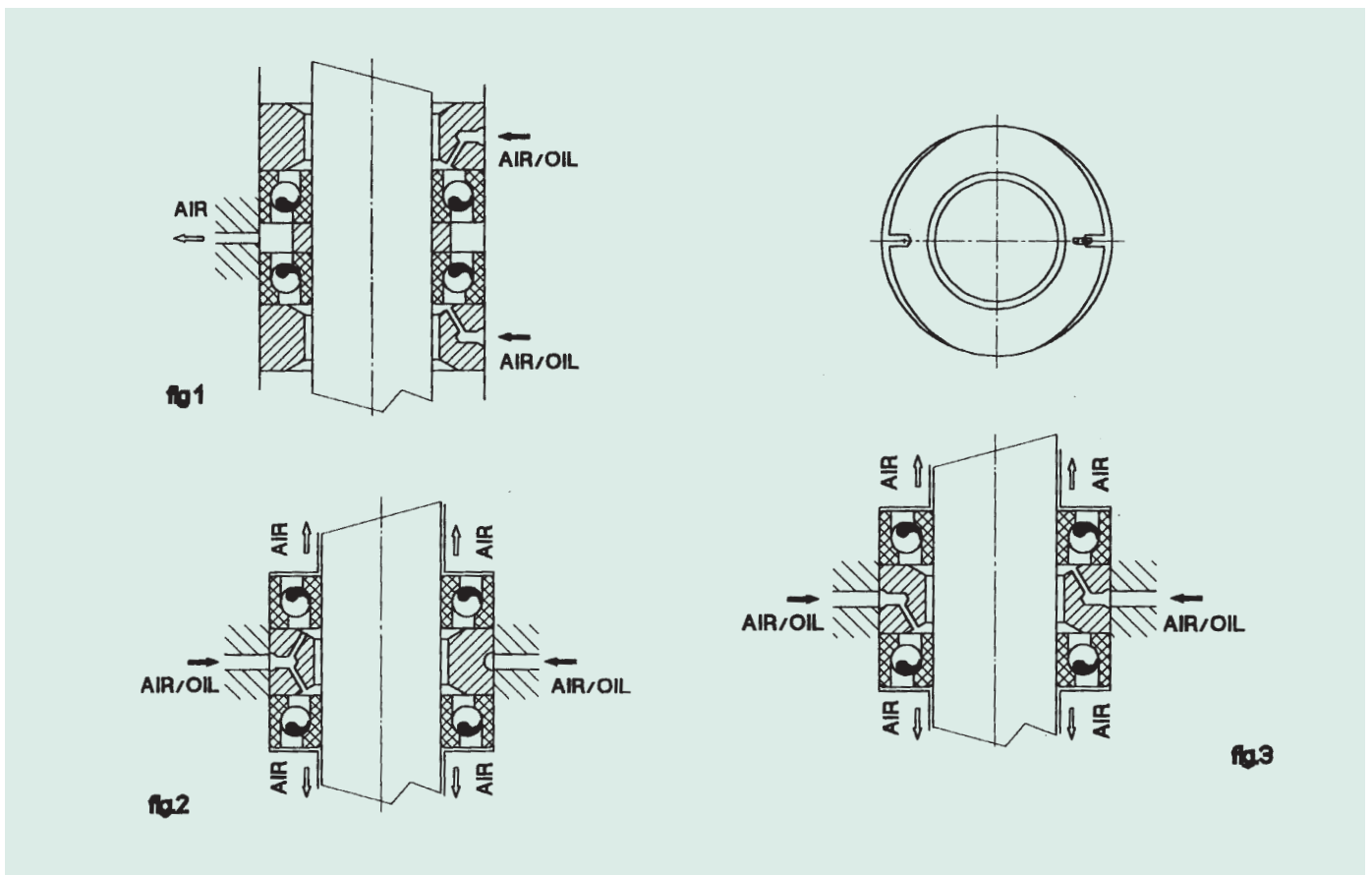
Mixair units are available with single or multiple outlets, with or without control and monitoring equipment.

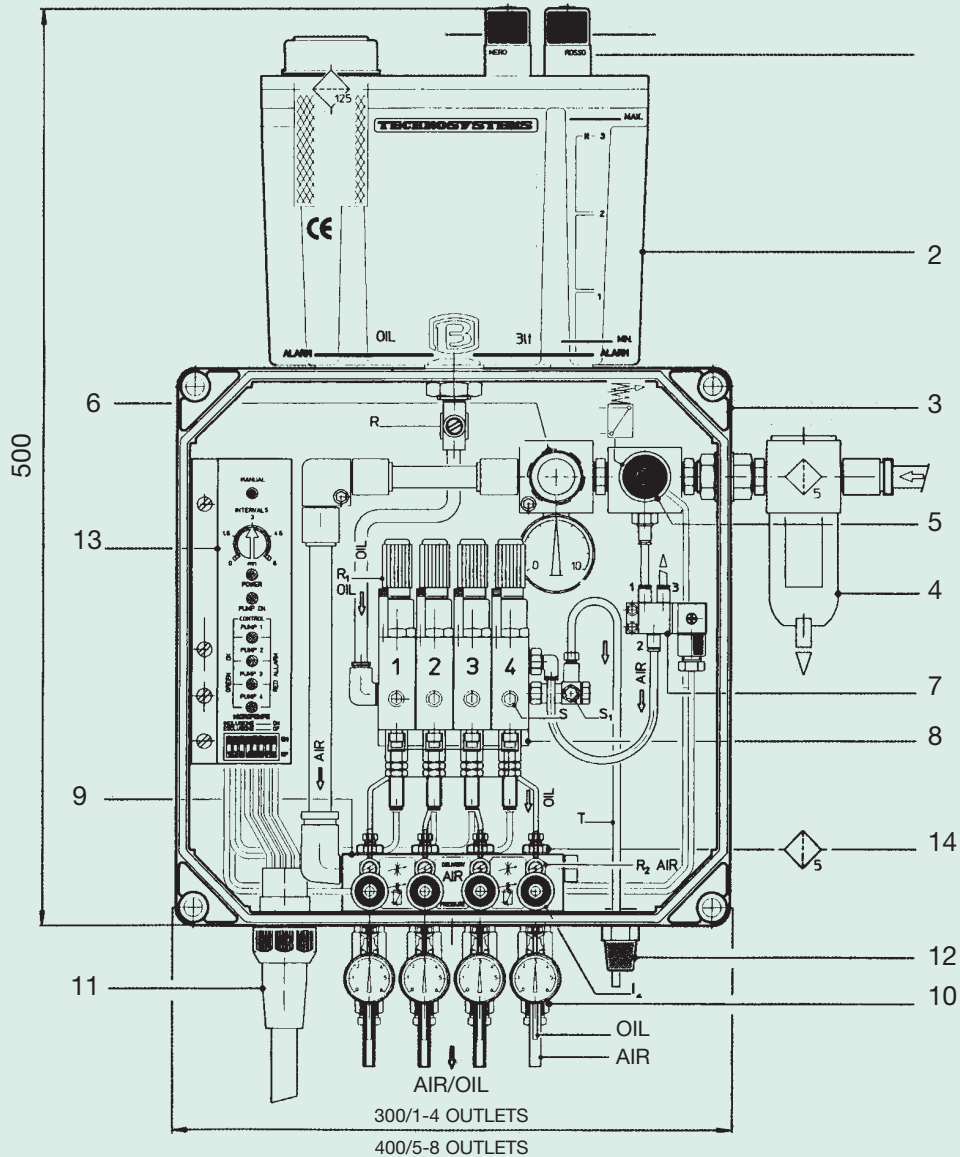


The system is based on the principle of a flow of air, the quantity and pressure of which is controlled, which transports microparticles of lubricant to the bearings along the internal surface of the tubes connected to the friction points.

Here, they are subsequently reduced by a small drilled passageway, whose function it is to increase the air flow speed considerably in order to generate an air/oil mixture directed towards the bottom of the bearing races, Fig. 1, 2 and 3.

Since there is never any formation of an oil mist, the air is able to flow via the drainage passageways, thereby avoiding an overpressure in the bearing housings.





Components

1. Level Switches
2. 3 Lt Reservoir
3. Enclosure to IP 65
4. Air Filter
5. Air Pressure Switch
6. Air Pressure Regulator
7. 3/2 Pilot Solenoid
8. Micro Pumps 1 to 8 Units
9. Air/Oil Mixing Unit
10. Delivery Outlets 6x4mm Tube
11. 14 Pin Electrical Connector
12. Air Vent for Cabinet
13. Electronic Programmer

Part No.	No of Outlets	Output
Mix 2.1	1	3-24mm ³ per outlet
Mix 2.2	2	
Mix 2.3	3	
Mix 2.4	4	
Mix 2.5	5	
Mix 2.6	6	
Mix 2.7	7	
Mix 2.8	8	

Add suffix A to Part No. for Electronic Control and Monitoring Equipment